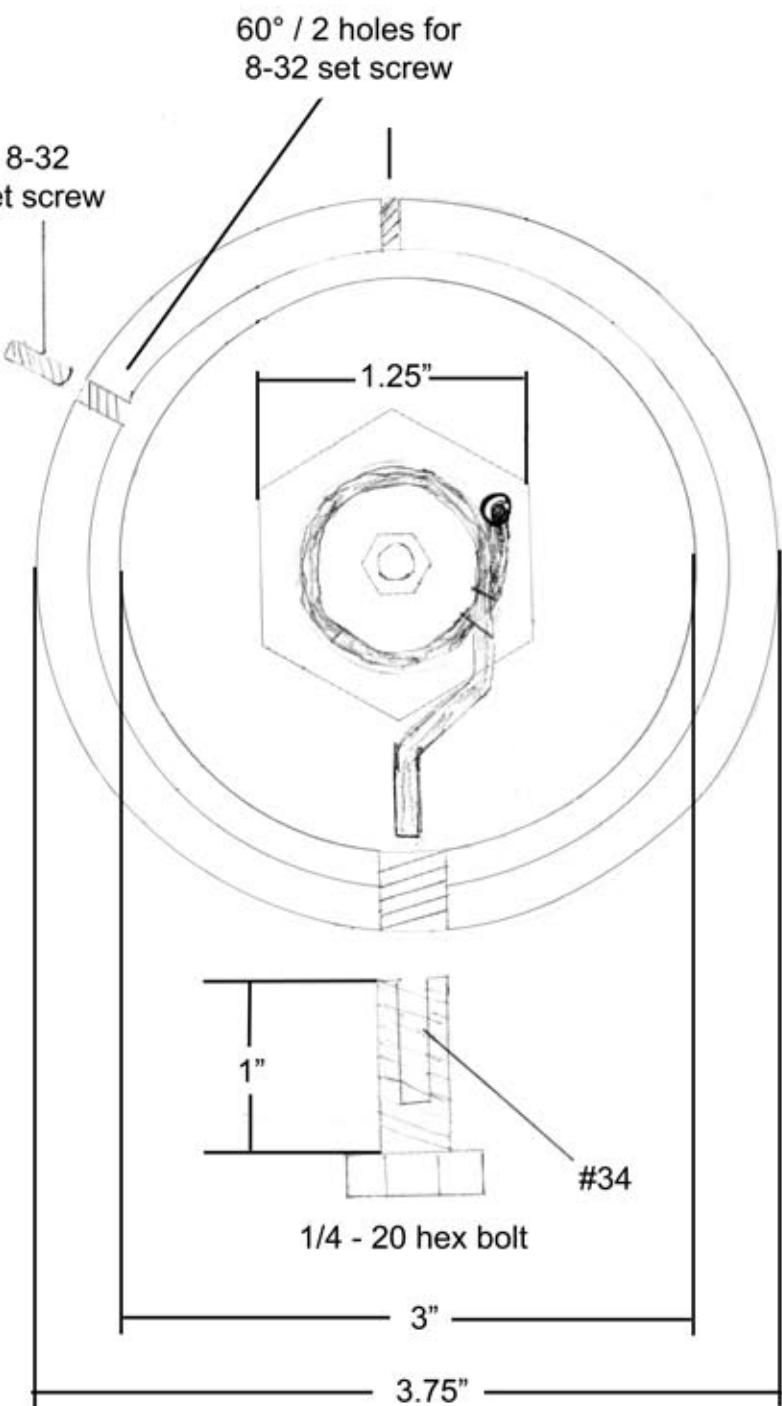
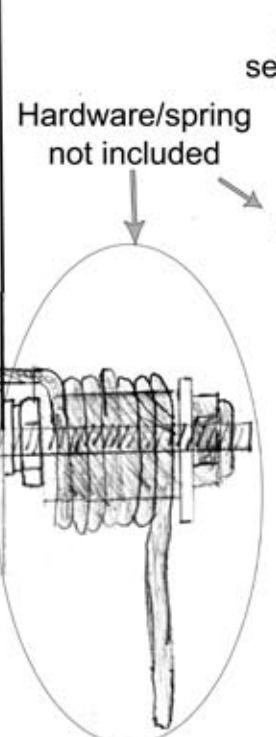
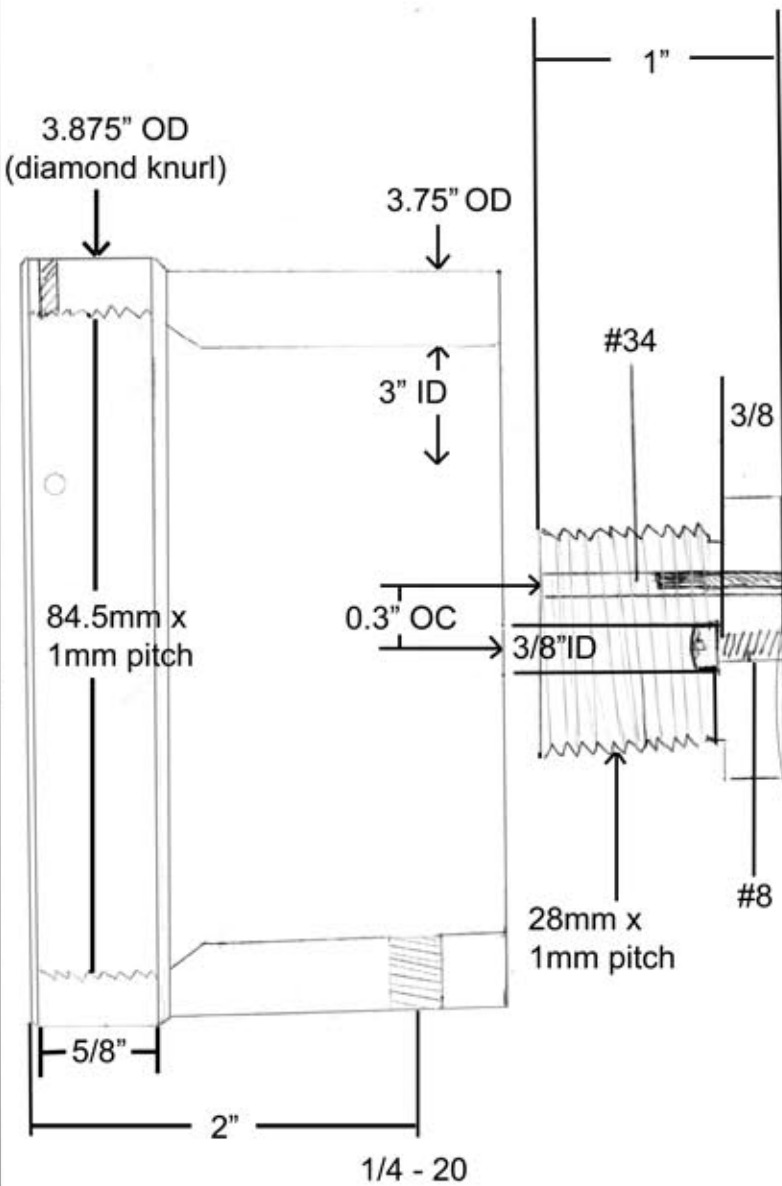


shows attachment point - not included



Metric threads require tight tolerance otherwise, not critical
= number drill size
Not to Scale